
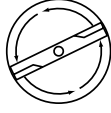


SERVICE 		3
		I0200061

IPL, LT16, 2002-06, 106 29 35-61

JLT1642B

LT16

Spare parts

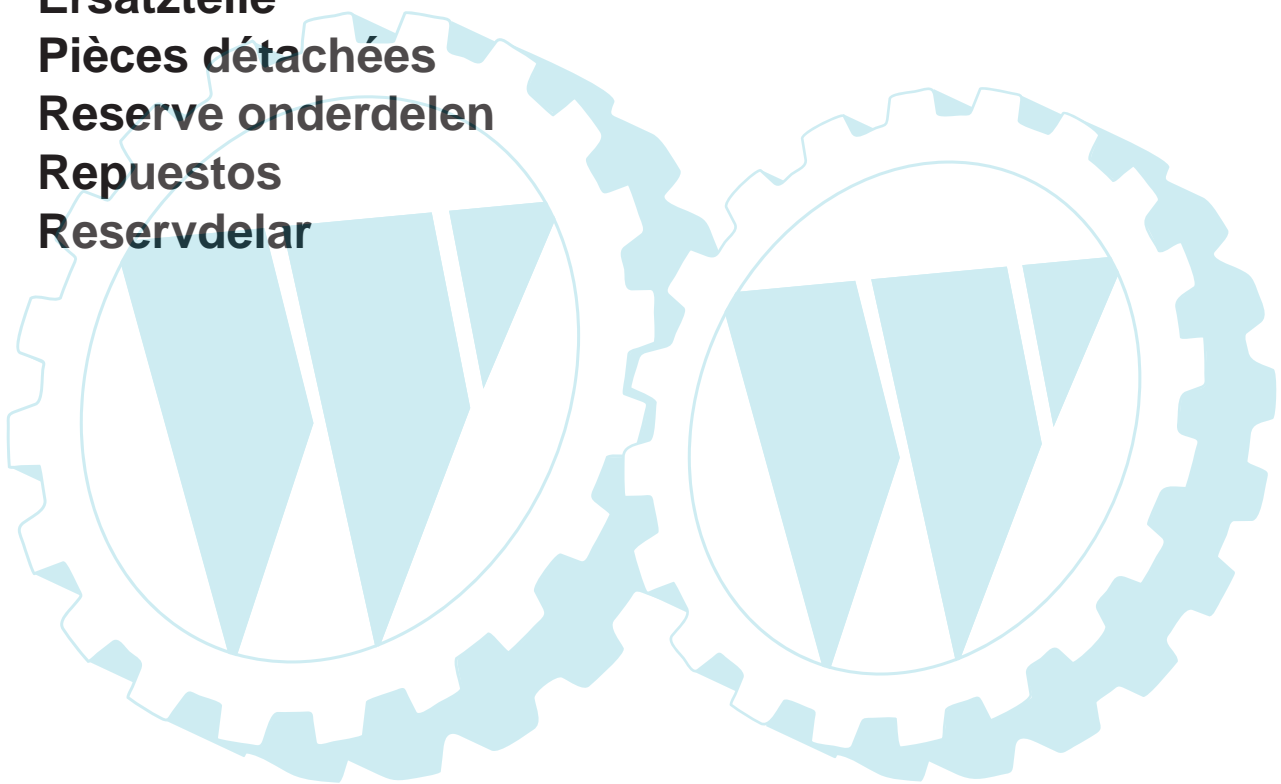
Ersatzteile

Pièces détachées

Reserve onderdelen

Repuestos

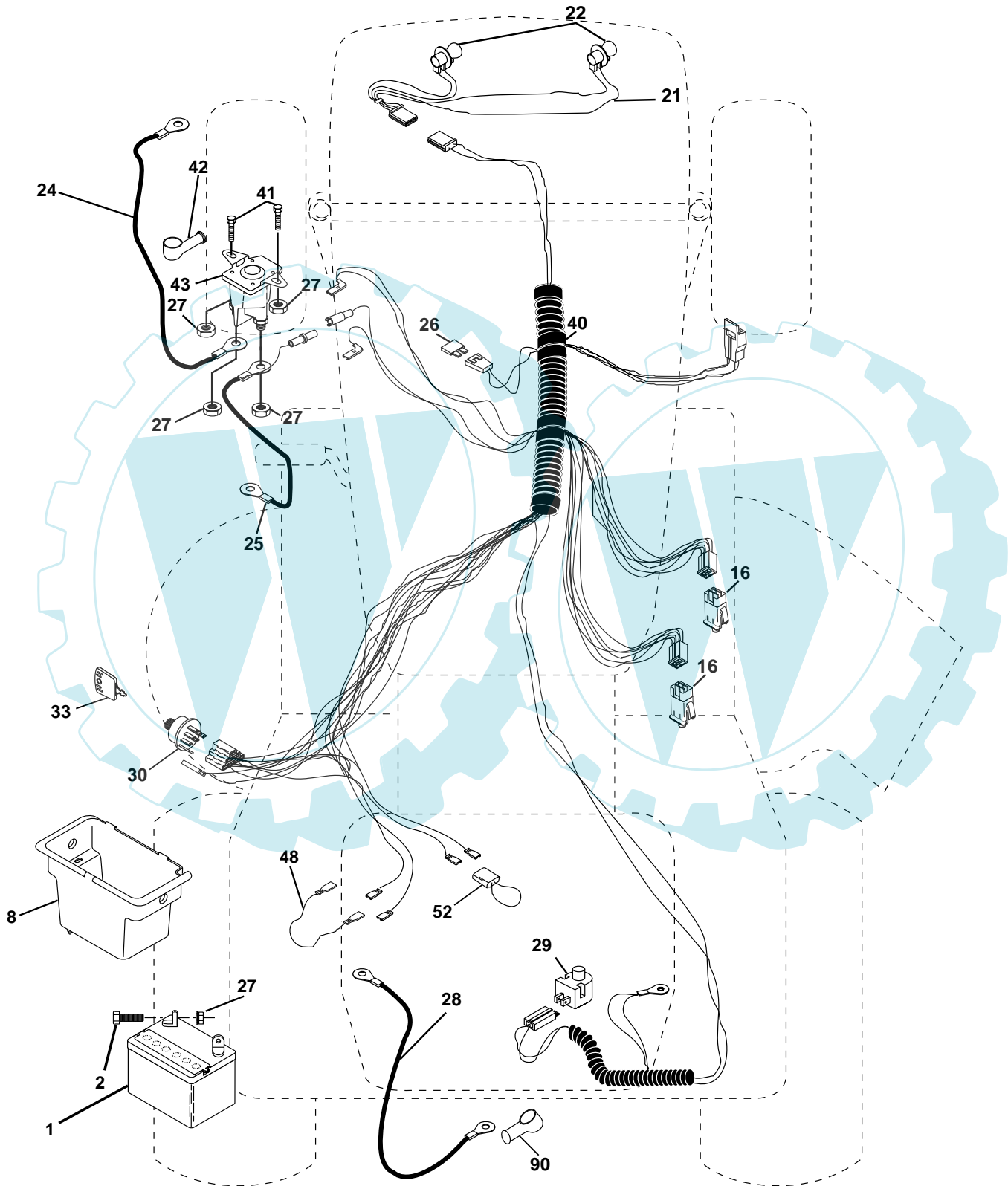
Reservdelar



106 29 35-61

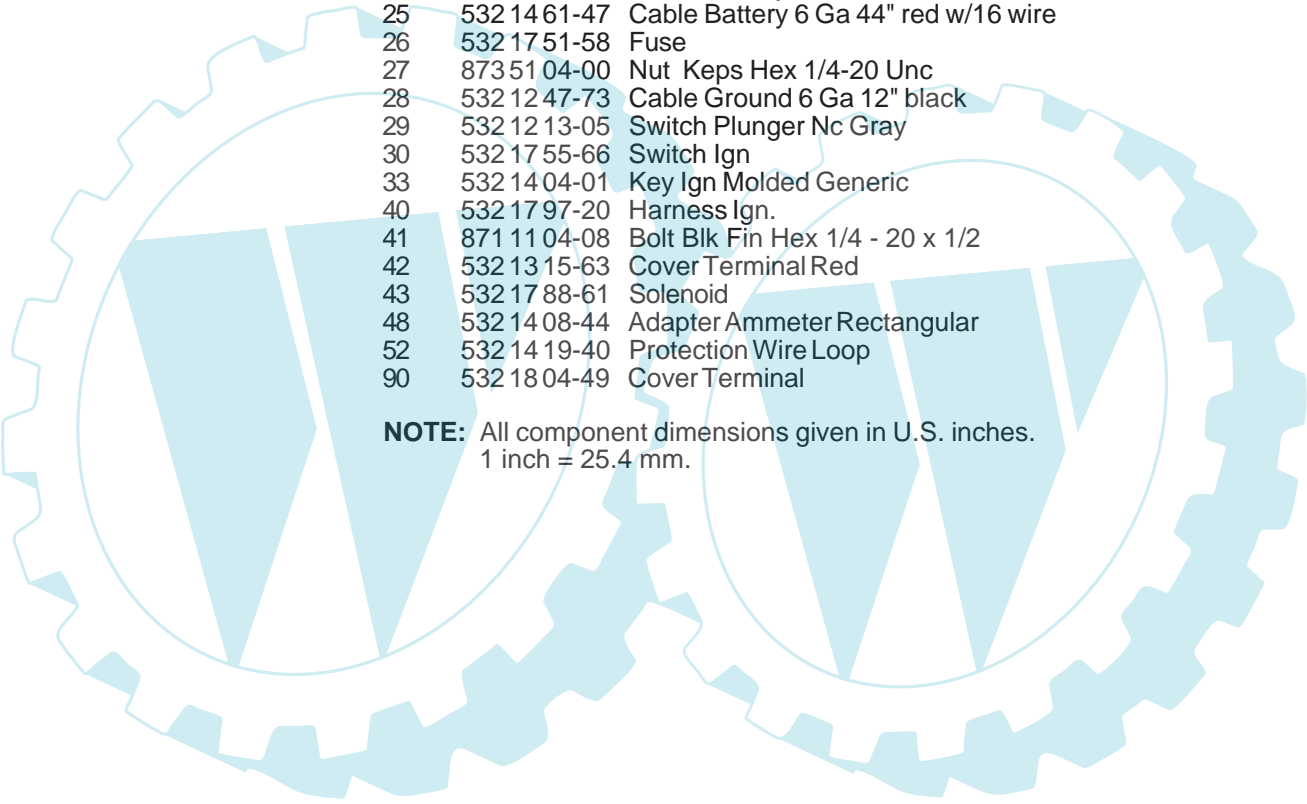
REPAIR PARTS

TRACTOR - MODEL NO. LT16 (JLT1642B), PRODUCT NO. 954 13 00-60
ELECTRICAL



REPAIR PARTS

TRACTOR - MODEL NO. LT16 (JLT1642B), PRODUCT NO. 954 13 00-60
ELECTRICAL

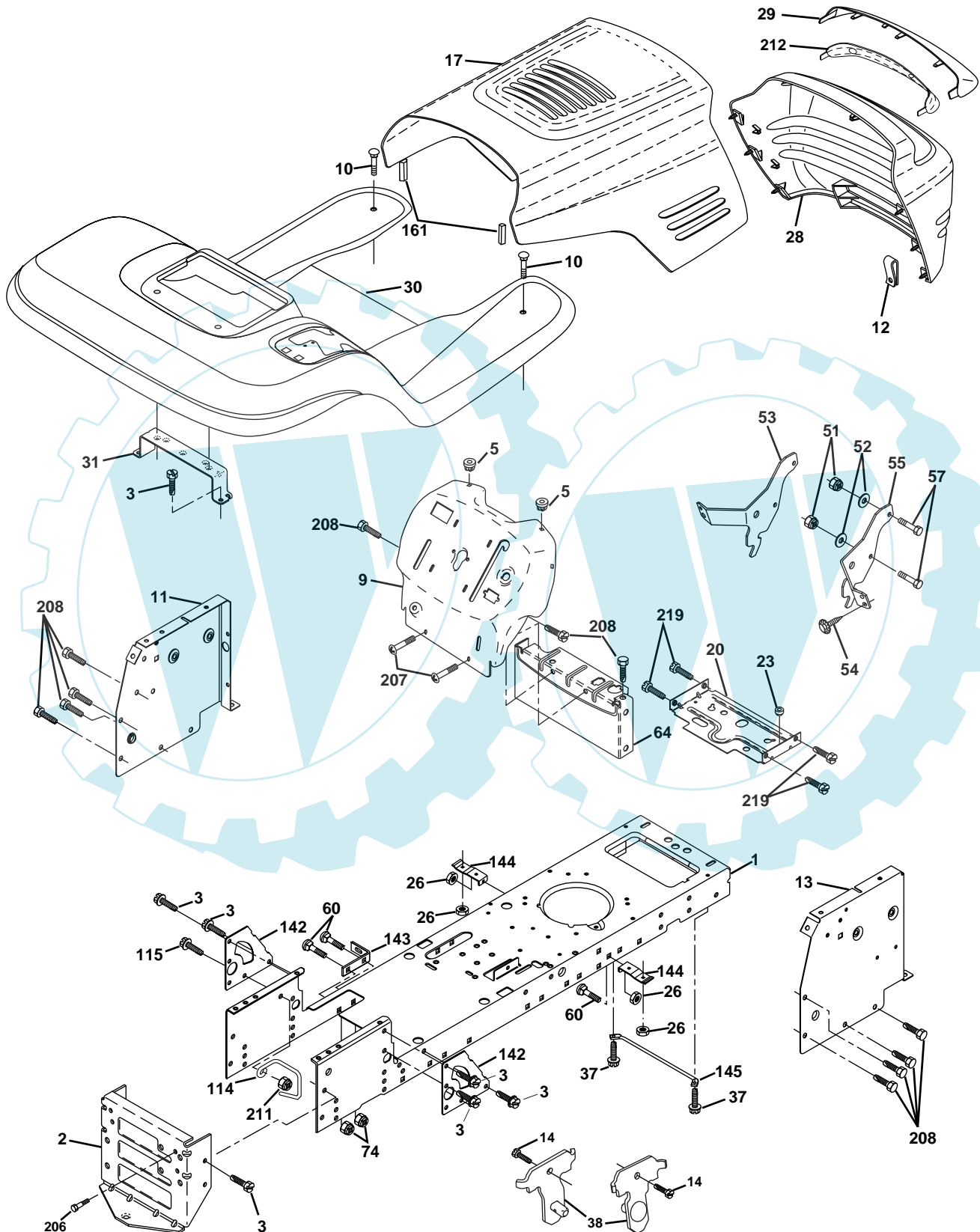


KEY NO.	PART NO.	DESCRIPTION
1	532 16 34-65	Battery 12 Volt 28 AMP
2	874 76 04-12	Bolt Hex Hd 1/4-20unc X 3/4
8	532 17 66-89	Battery Box Fender
16	532 17 61-38	Switch Interlock Push-In
21	532 17 56-88	Harness Asm Light W/4152j
22	532 00 41-52	Bulb Light #1156
24	532 12 47-80	Cable Battery 6 Ga 11" red
25	532 14 61-47	Cable Battery 6 Ga 44" red w/16 wire
26	532 17 51-58	Fuse
27	873 51 04-00	Nut Keps Hex 1/4-20 Unc
28	532 12 47-73	Cable Ground 6 Ga 12" black
29	532 12 13-05	Switch Plunger Nc Gray
30	532 17 55-66	Switch Ign
33	532 14 04-01	Key Ign Molded Generic
40	532 17 97-20	Harness Ign.
41	871 11 04-08	Bolt Blk Fin Hex 1/4 - 20 x 1/2
42	532 13 15-63	Cover Terminal Red
43	532 17 88-61	Solenoid
48	532 14 08-44	Adapter Ammeter Rectangular
52	532 14 19-40	Protection Wire Loop
90	532 18 04-49	Cover Terminal

NOTE: All component dimensions given in U.S. inches.
1 inch = 25.4 mm.

REPAIR PARTS

TRACTOR - MODEL NO. LT16 (JLT1642B), PRODUCT NO. 954 13 00-60
CHASSIS AND ENCLOSURES



REPAIR PARTS

TRACTOR - MODEL NO. LT16 (JLT1642B), PRODUCT NO. 954 13 00-60 CHASSIS AND ENCLOSURES

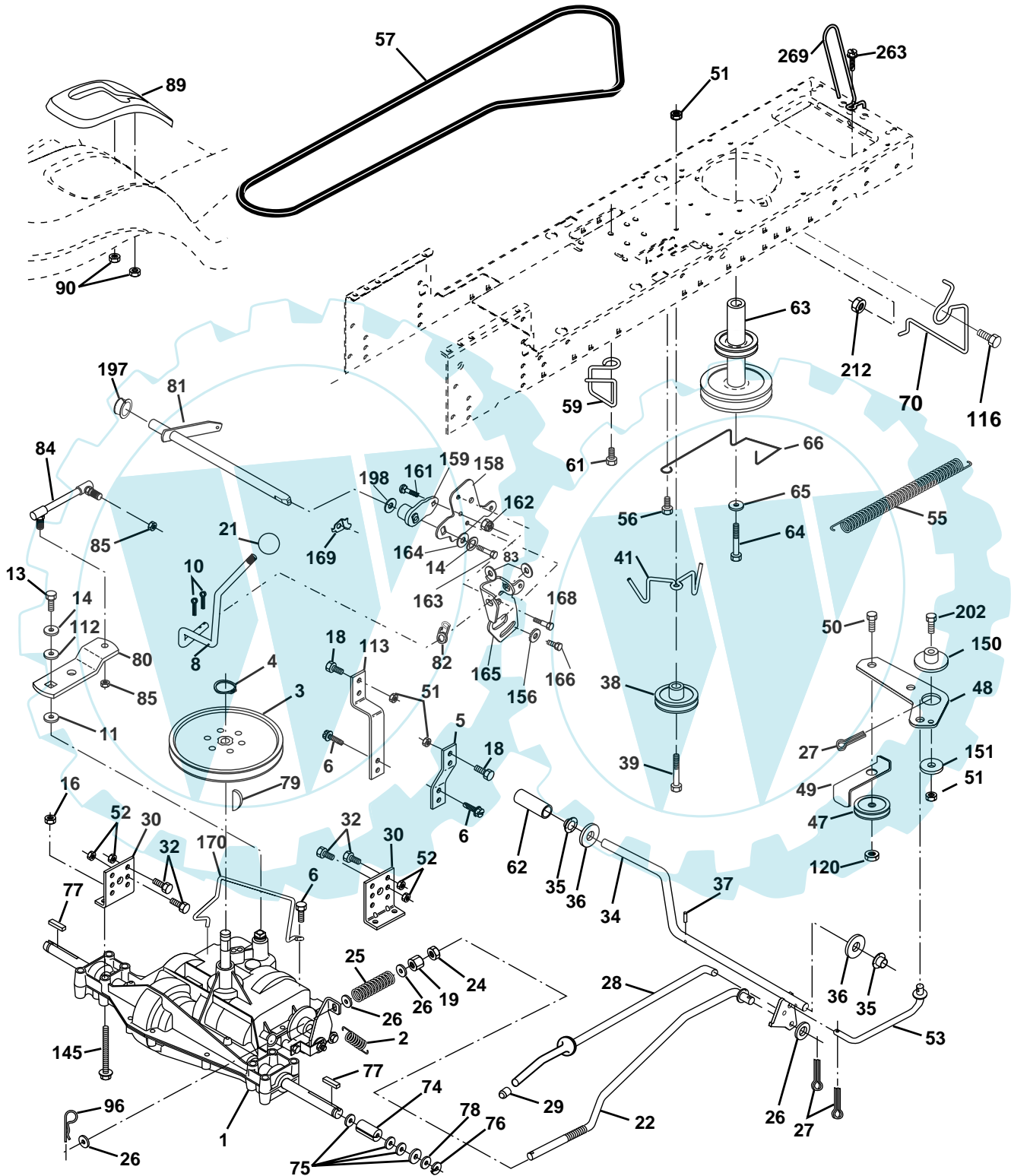


KEY NO.	PART NO.	DESCRIPTION
1	532 17 46-19	Chassis Stamping
2	532 17 65-54	Drawbar
3	817 06 06-12	Screw 3/8-16x3/4
5	532 15 52-72	Bumper Hood/Dash
9	532 17 21-51	Dash P/L
10	872 14 06-08	Bolt Carriage 3/8-16 x 1
11	532 17 49-96	Panel Dash Lh
12	532 14 56-60	Clip Tinnerman Grille P/L
13	532 17 21-06	Panel Dash Rh
14	817 49 06-08	Screw Thdrol 3/8-16 x 1/2
17	532 15 07-60	Hood LT/PL with Louvers
20	532 18 06-79	Plate Mtg Battery Fuel Tank Fr
23	532 12 40-28	Bushing
26	873 80 06-00	Nut Lock Hex W/Ins 3/8-16 Unc
28	532 17 93-51	Grille/Lens asm
29	532 17 90-14	Lens LT/PL Grille Shark Plain
30	532 18 12-05	Fender Footrest
31	532 13 99-76	Bracket Support Fender
37	817 49 05-08	Screw Thdrol 6/16-18 x 1/2 TYT
38	532 17 57-10	Bracket Asm Pivot Mower Rear
51	873 80 04-00	Nut Lock Hex W/Ins 1/4-20
52	819 09 14-16	Washer 9/32 x 7/8 x 16 Ga.
53	532 14 52-01	Bracket Pnt. Pickoff LH
54	532 16 14-64	Screw Hex Wshd 8-18 x 7/8
55	532 14 52-02	Bracket Grille Pickoff RH
57	874 78 04-12	Bolt Hex 1/4-20 x 3/4
60	872 14 06-06	Bolt Rdhd Sqnk 3/8-16unc x 3/4
64	532 15 47-98	Dash Lower STLT
74	873 68 06-00	Nut Crownlock 3/8-16 UNC
114	532 15 81-12	Keeper Belt Rear LH Stl P930
115	817 06 06-20	Screw 3/8-16 x 1-1/4
142	532 17 57-02	Plate Reinforcement STLT
143	532 15 49-66	Bracket Swaybar Chassis
144	532 17 55-82	Bracket Pnt Footrest STLT
145	532 15 65-24	Rod Pivot Chassis/Hood
161	532 16 46-55	Bumper Hood
206	532 17 01-65	Bolt Shoulder 5/16-18 TT
207	817 67 05-08	Screw Thdrol 5/16-18 x 1/2
208	817 67 06-08	Screw Thdrol 3/18-16 x 1/2
211	532 14 52-12	Nut Hexflange Lock
212	532 16 59-19	Insert Lens Reflective
219	817 00 05-12	Screw 5/16-18 x 3/4

NOTE: All component dimensions given in U.S. inches
1 inch = 25.4 mm

REPAIR PARTS

TRACTOR - MODEL NO. LT16 (JLT1642B), PRODUCT NO. 954 13 00-60
DRIVE



REPAIR PARTS

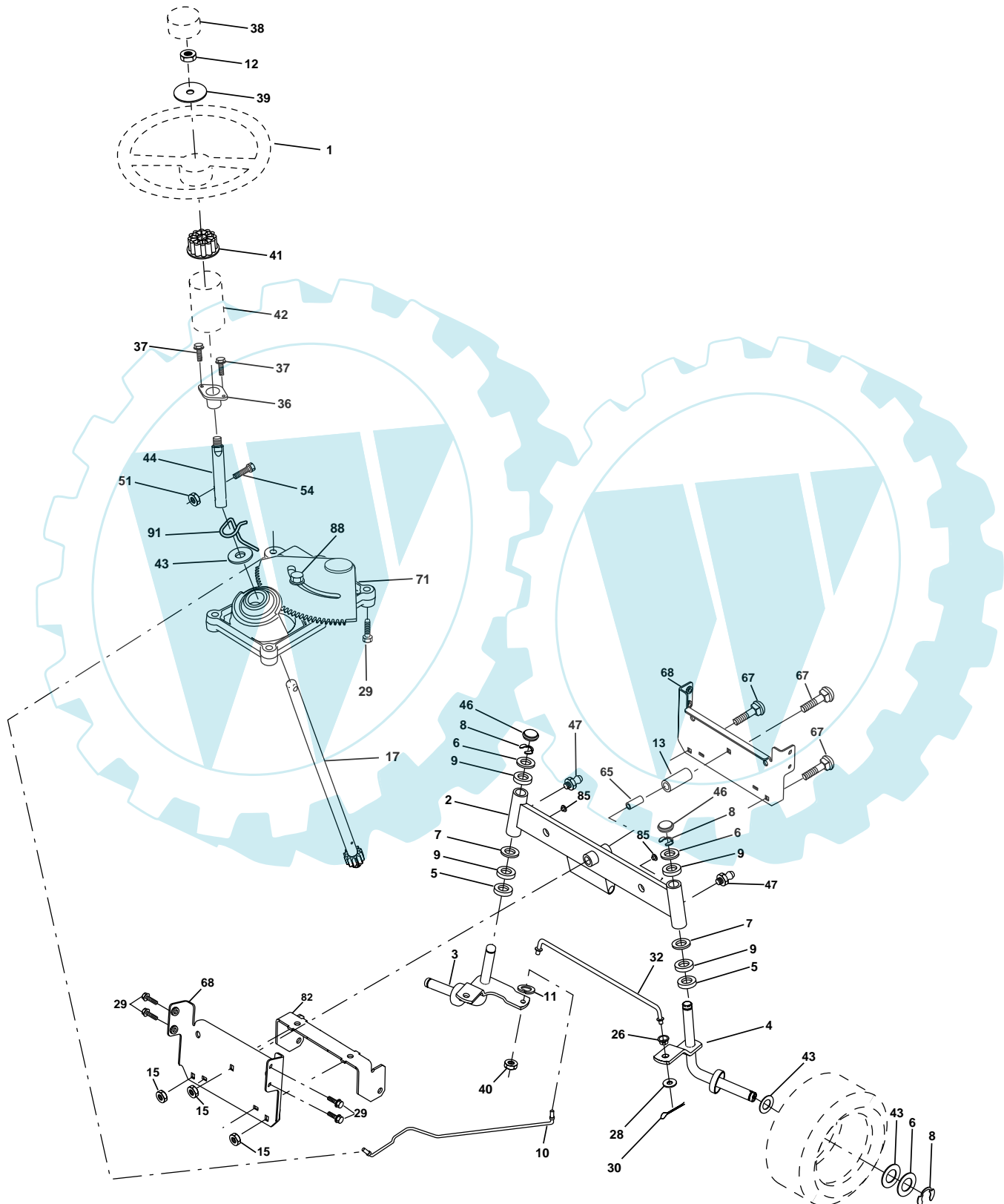
TRACTOR - MODEL NO. LT16 (JLT1642B), PRODUCT NO. 954 13 00-60 DRIVE

KEY NO.	PART NO.	DESCRIPTION	KEY NO.	PART NO.	DESCRIPTION
1	-----	Transaxle Peerless 206-545C (Order parts from transaxle manufacturer)	64	871 17 07-64	Bolt Hex 7/16-20 x 4
2	532 14 66-82	Spring Return Brake T/a Zinc	65	810 04 07-00	Washer Lock Hvy Hlcl Spr 7/16
3	532 12 36-66	Pulley Transaxle 18"tires	66	532 15 47-78	Keeper Belt Engine F-Proof
4	812 00 00-28	Ring Retainer #5100-62	70	532 18 02-18	Guide Belt Mower Drive RH
5	532 12 15-20	Strap Torque 30 Degrees	74	532 13 70-57	Spacer Axle
6	817 06 05-12	Screw 5/16-18 X 3/4	75	532 12 17-49	Washer 25/32 X 1 1/4 X 16 Ga
8	532 16 58-66	Rod Shifter	76	812 00 00-01	E-ring #5133-75
10	876 02 04-16	Pin Cotter 1/8 X 1 Cad	77	532 12 35-83	Key Square 2 0 X 1845/ 1865
11	532 10 57-01	Washer Plate Shf 388 Sq Hole	78	532 12 17-48	Washer 25/32 X 1-5/8 X 16 Ga
13	874 55 04-12	Bolt 1/4-28 Unf Gr 8 W/Patch	79	532 12 50-96	Key Woodruff
14	810 04 04-00	Washer Lock Hvy Helical 1/4	80	532 14 50-90	Arm Shift Transaxle
16	873 80 05-00	Nut Lock Hx W/Ins 5/16-18 Unc	81	532 16 55-92	Shaft Asm Cross
18	874 78 06-16	Bolt Fin Hex 3/8-16 UNC x `1 Gr. 5	82	532 16 57-11	Spring Torsion T/a
19	873 80 06-00	Nut Lock 3/8-16 Unc	83	819 17 12-16	Washer 17/32 X 3/4 X 16 Ga
21	532 13 05-64	Knob Deluxe 1/2-13 Unc Blk/Red	84	532 16 62-31	Link Transaxle
22	532 13 08-04	Rod Brake Blk Zinc 26 840	85	532 15 03-60	Nut Nylock 1/4 - 28
24	873 35 06-00	Nut Hex Jam 3/8-16 Unc	89	532 16 65-56	Console Shift 6sp
25	532 10 68-88	Spring Rod Brake 2 00 Zinc	90	532 12 43-46	Nut Self-thd Wsh-hd 1/4 Zinc
26	819 13 13-16	Washer 13/32 X 13/16 X 16 Ga	96	532 12 47-88	Retainer Spring 1" Zinc/Cad
27	876 02 04-12	Pin Cotter 1/8 X 3/4 Cad	112	819 09 12-10	Washer 9/32 x 3/4 x 10 Ga.
28	532 17 57-65	Rod Brake Parking LT/YT	113	532 12 72-85	Strap Torque Lt
29	532 07 16-73	Cap Brake Parking Black	116	872 14 06-08	Bolt Rd Sq Neck 3/8-16 x 1
30	532 16 95-92	Bracket Mtg Transaxle	120	873 90 06-00	Nut Lock Flg 3/8-16
32	874 76 05-12	Bolt Hex Hd 5/16-18unc X 3/4	145	874 49 05-40	Bolt Hex 5/16-18FLGHD
34	532 17 55-78	Shaft Asm Pedal Foot	150	532 17 54-56	Spacer Retainer
35	532 12 01-83	Bearing Nylon Blk 629 Id	151	819 13 32-10	Washer 13/32 x 2 x 10 Ga.
36	819 21 16-16	Washer 21/32 X 1 X 16 Ga	156	532 16 60-02	Washer Srrted 5/16 ID x 1 .125
37	532 12 49-63	Pin Roll 3/16 X 1"	158	532 16 55-89	Bracket Shift Mount
38	532 17 91-14	Pulley Composite Flat	159	532 16 54-94	Hub Tapered Flange Shift LT
39	874 76 06-48	Bolt Fin Hex 3/8-16 Unc x 3	161	872 14 04-06	Bolt Rdhd Sqnk 1/4-20 x 3/4 Gr 5
41	532 17 55-56	Keeper Belt Idler	162	873 68 04-00	Nut Crownlock 1/4-20 Unc
47	532 12 77-83	Pulley Idler V Groove Plastic	163	874 78 04-16	Bolt Hex Fin 1/4-20 Unc x 1 Gr. 5
48	532 15 44-07	Bellcrank Clutch Grnd Drw STL	164	819 09 10-10	Washer 5/8 x .281 x 10 Ga.
49	532 12 32-05	Retainer Belt Style Spring	165	532 16 56-23	Bracket Pivot Lever
50	872 11 06-12	Bolt Carr SH 3/8-16 X 1-1/2 Gr 5	166	532 16 68-80	Screw 5/16-18 x 5/8
51	873 68 06-00	Nut Crownlock 3/8-16 Unc	168	532 16 54-92	Bolt Shoulder 5/16-18 x .561
52	873 68 05-00	Nut Crownlock 5/16-18 Unc	169	532 16 55-80	Plate Fastening LT
53	532 10 57-10	Link Clutch 7 66	170	532 17 83-94	Keeper Belt Transaxle
55	532 10 57-09	Spring Return Clutch 6 75	197	532 16 96-13	Nyliner Snap-In 5/8" ID
56	817 06 06-20	Screw 3/8-16 X 1-1/4	198	532 16 95-93	Washer Nyl 7/8 ID x .105"
57	532 13 08-01	V-Belt Ground Drive 95 25 42"	202	872 11 06-14	Bolt Carr Sh 3/8-16 x 1-1/2 Gr 5
59	532 16 96-91	Keeper Belt Span Ctr	212	532 14 52-12	Nut Hex Flg Lock
61	817 12 06-14	Screw 3/8-16 x .875	263	817 00 06-12	Screw Hexwsh Thdr 3/8-16 x 3/4
62	532 12 48-72	Cover Pedal	269	532 18 24-02	Guard Muffler
63	532 18 02-19	Engine Pulley			

NOTE: All component dimensions given in U.S. inches
1 inch = 25.4 mm

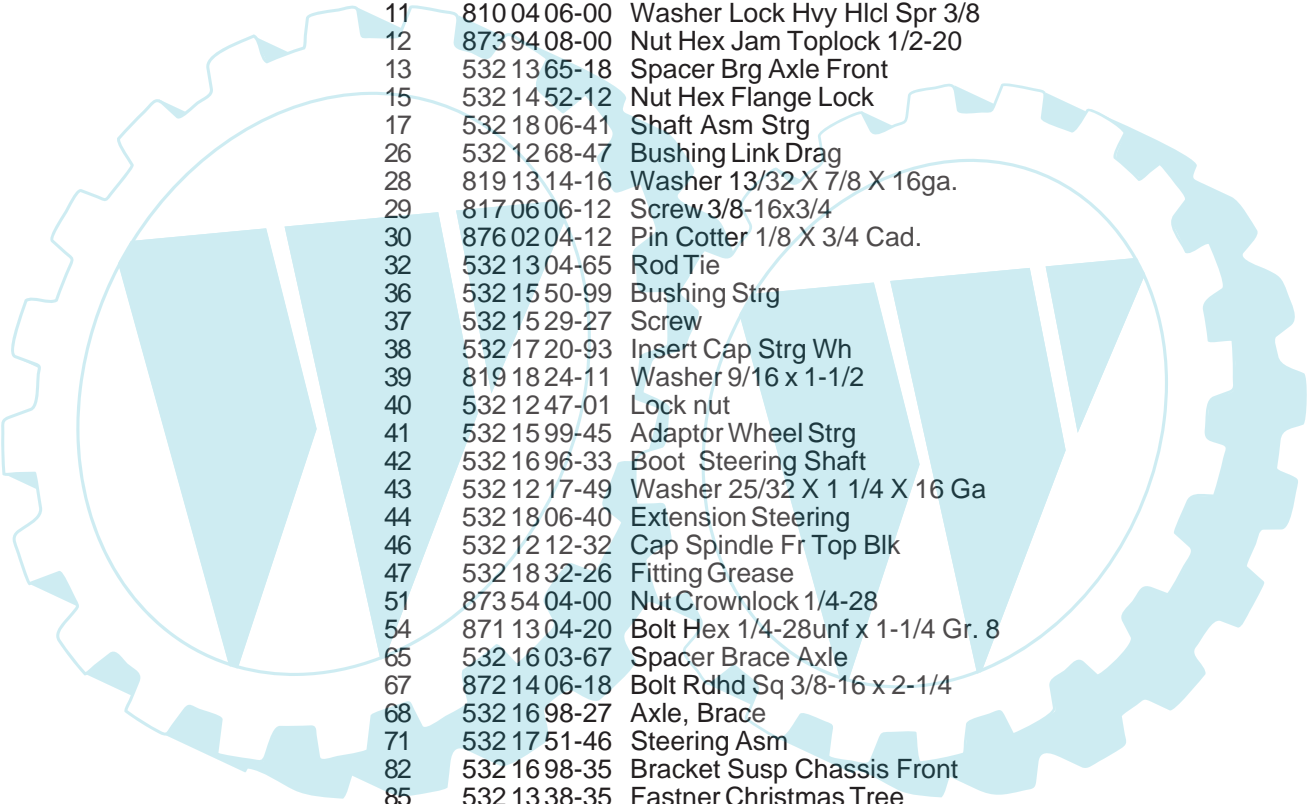
REPAIR PARTS

TRACTOR - MODEL NO. LT16 (JLT1642B), PRODUCT NO. 954 13 00-60
STEERING ASSEMBLY



REPAIR PARTS

TRACTOR - MODEL NO. LT16 (JLT1642B), PRODUCT NO. 954 13 00-60
STEERING ASSEMBLY

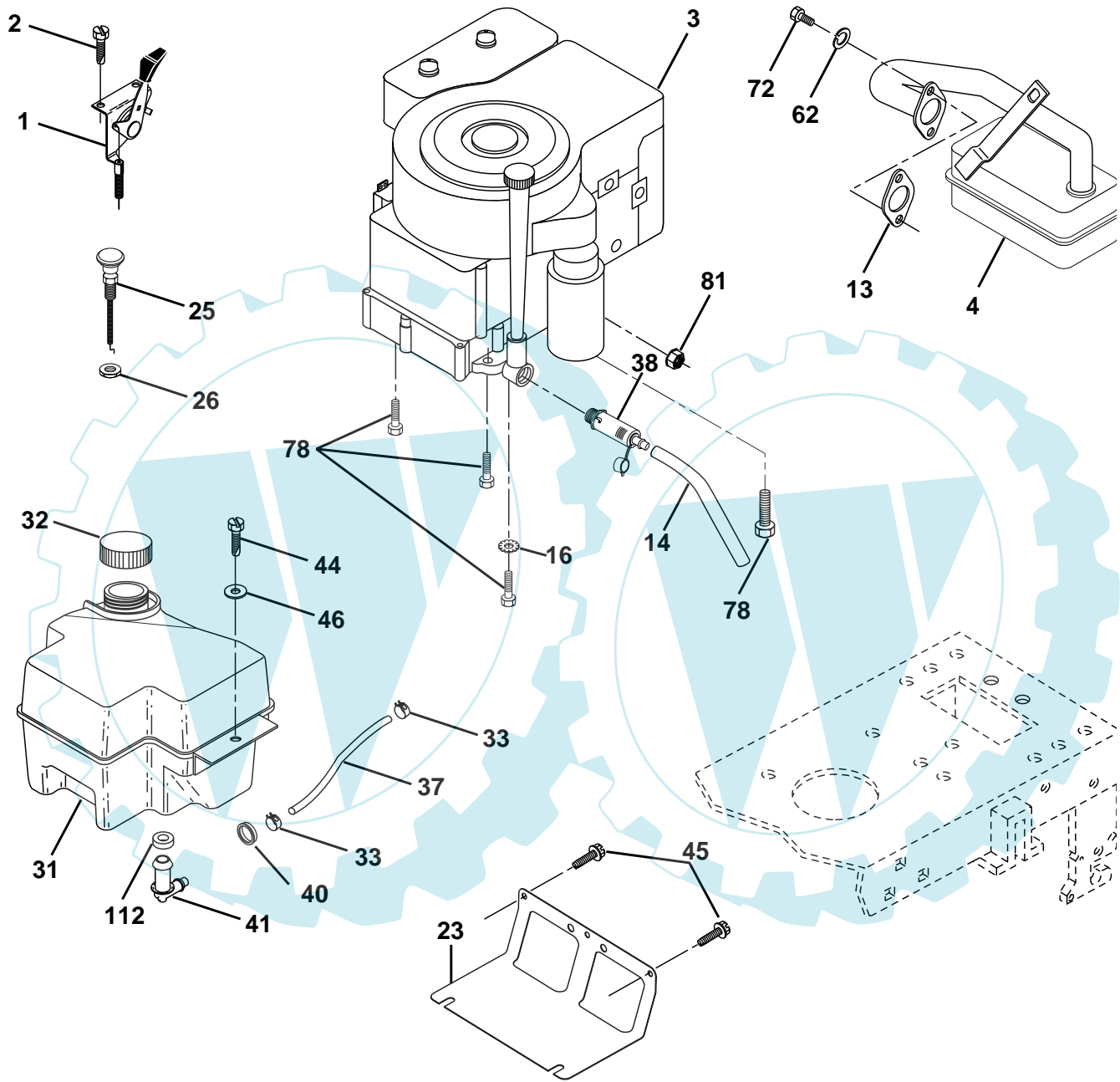


KEY NO.	PART NO.	DESCRIPTION
1	532 17 20-92	Wheel Steering
2	532 17 51-31	Axle Asm STMP Dropped STL
3	532 16 98-40	Spindle Asm LH
4	532 16 98-39	Spindle Asm RH
5	532 12 49-31	Bearing Race Thrust Harden
6	532 12 17-48	Washer 25/32 X 1-5/8 X 16 Ga
7	819 27 20-16	Washer 27/32 X 1-1/4 X 16 Ga
8	812 00 00-29	Ring Klip #t5304-75
9	532 12 49-37	Bearing Col Strg Blk
10	532 17 51-21	Link Drag
11	810 04 06-00	Washer Lock Hvy Hlcl Spr 3/8
12	873 94 08-00	Nut Hex Jam Toplock 1/2-20
13	532 13 65-18	Spacer Brg Axle Front
15	532 14 52-12	Nut Hex Flange Lock
17	532 18 06-41	Shaft Asm Strg
26	532 12 68-47	Bushing Link Drag
28	819 13 14-16	Washer 13/32 X 7/8 X 16ga.
29	817 06 06-12	Screw 3/8-16x3/4
30	876 02 04-12	Pin Cotter 1/8 X 3/4 Cad.
32	532 13 04-65	Rod Tie
36	532 15 50-99	Bushing Strg
37	532 15 29-27	Screw
38	532 17 20-93	Insert Cap Strg Wh
39	819 18 24-11	Washer 9/16 x 1-1/2
40	532 12 47-01	Lock nut
41	532 15 99-45	Adaptor Wheel Strg
42	532 16 96-33	Boot Steering Shaft
43	532 12 17-49	Washer 25/32 X 1 1/4 X 16 Ga
44	532 18 06-40	Extension Steering
46	532 12 12-32	Cap Spindle Fr Top Blk
47	532 18 32-26	Fitting Grease
51	873 54 04-00	Nut Crownlock 1/4-28
54	871 13 04-20	Bolt Hex 1/4-28unf x 1-1/4 Gr. 8
65	532 16 03-67	Spacer Brace Axle
67	872 14 06-18	Bolt Rdhd Sq 3/8-16 x 2-1/4
68	532 16 98-27	Axle, Brace
71	532 17 51-46	Steering Asm
82	532 16 98-35	Bracket Susp Chassis Front
85	532 13 38-35	Fastner Christmas Tree
88	532 17 51-18	Bolt Shoulder 7/16-20
91	532 17 55-53	Clip Steering

NOTE: All component dimensions given in U.S. inches.
1 inch = 25.4 mm.

REPAIR PARTS

TRACTOR - MODEL NO. LT16 (JLT1642B), PRODUCT NO. 954 13 00-60
ENGINE

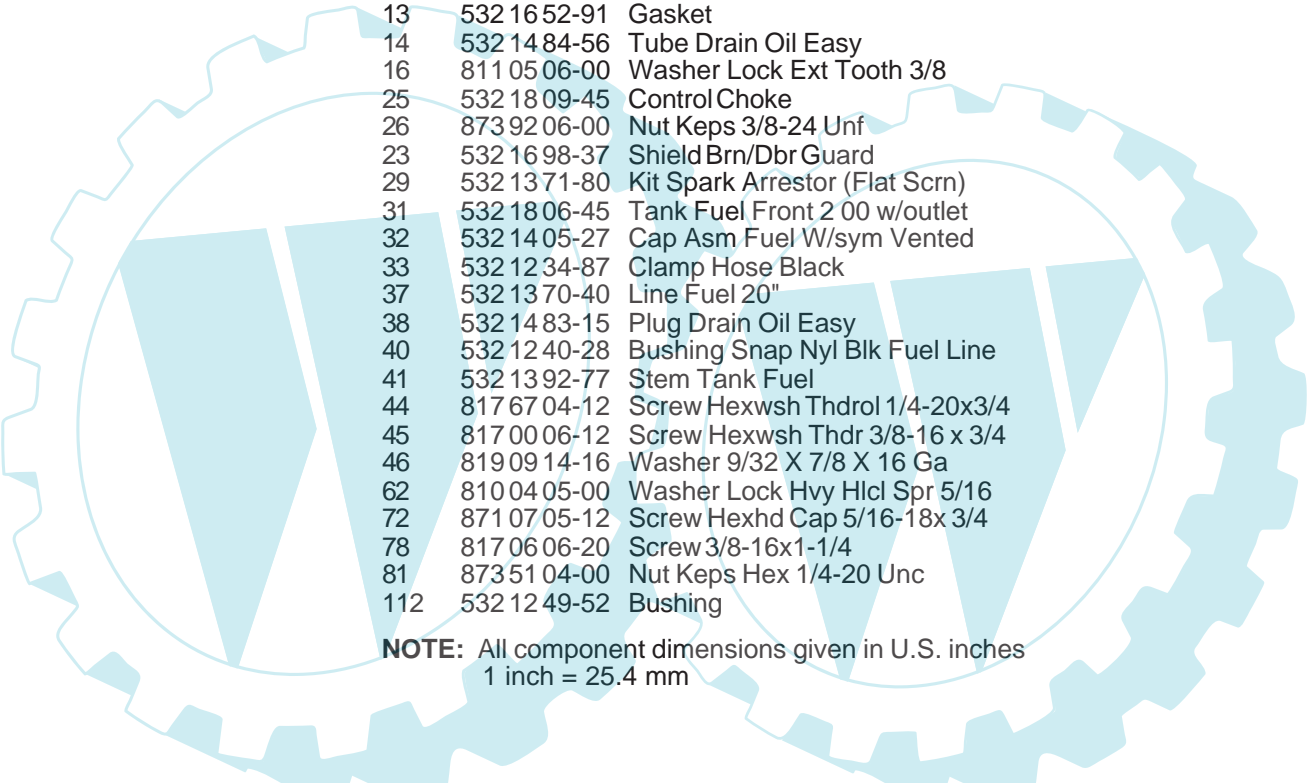


29

OPTIONAL EQUIPMENT
Spark Arrester

REPAIR PARTS

TRACTOR - MODEL NO. LT16 (JLT1642B), PRODUCT NO. 954 13 00-60
ENGINE

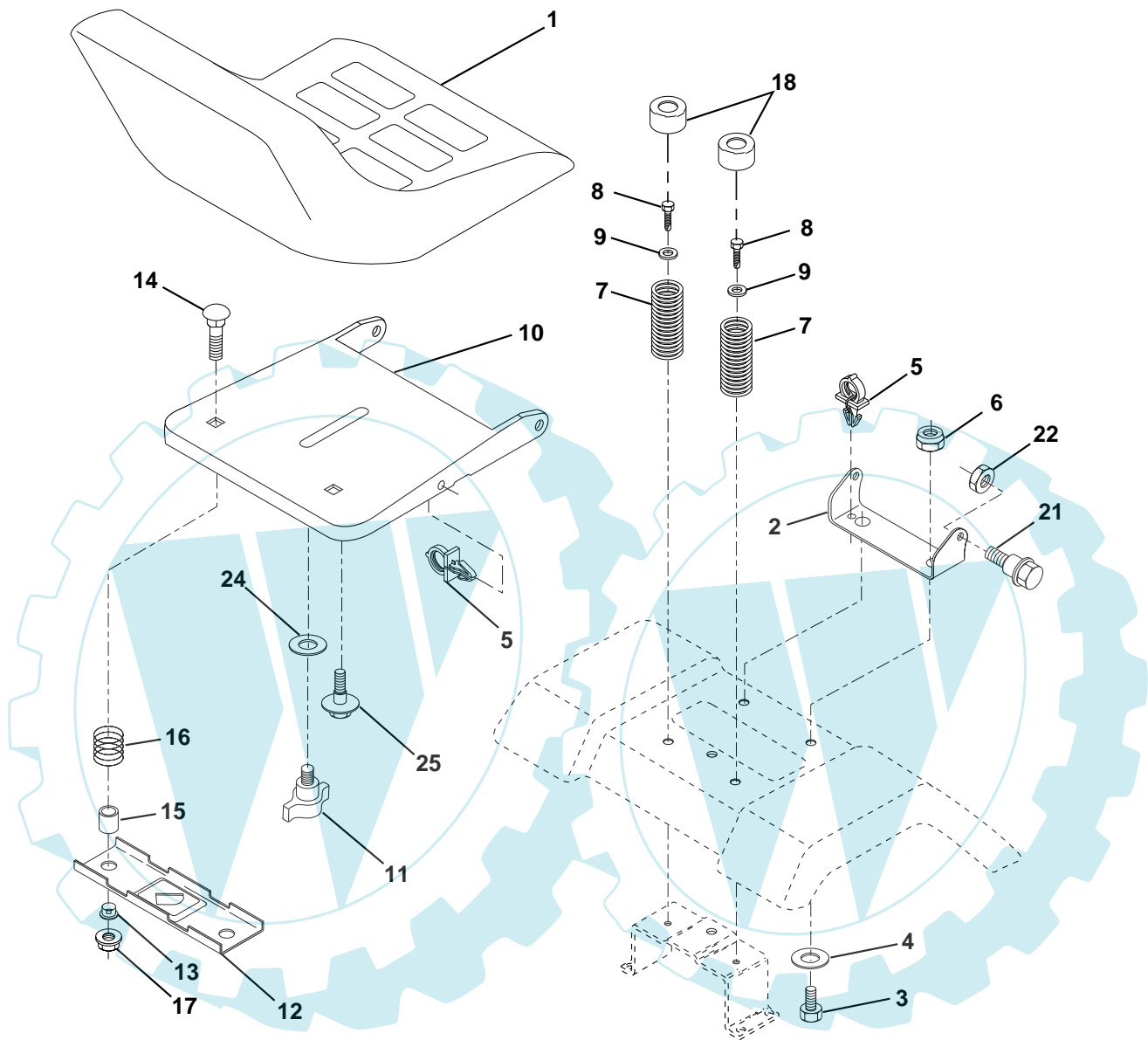


KEY NO.	PART NO.	DESCRIPTION
1	532 17 05-51	Control Th/ch B&S EEC Flag
2	817 72 04-08	Screw Hex Thd Cut 1/4-20 x 1/2
3	-----	Engine B&S Model No. 31G777 Order parts from engine manufacturer
4	532 13 73-52	Muffler LT B&S
13	532 16 52-91	Gasket
14	532 14 84-56	Tube Drain Oil Easy
16	811 05 06-00	Washer Lock Ext Tooth 3/8
25	532 18 09-45	Control Choke
26	873 92 06-00	Nut Keps 3/8-24 Unf
23	532 16 98-37	Shield Brn/Dbr Guard
29	532 13 71-80	Kit Spark Arrestor (Flat Scrn)
31	532 18 06-45	Tank Fuel Front 2 00 w/outlet
32	532 14 05-27	Cap Asm Fuel W/sym Vented
33	532 12 34-87	Clamp Hose Black
37	532 13 70-40	Line Fuel 20"
38	532 14 83-15	Plug Drain Oil Easy
40	532 12 40-28	Bushing Snap Nyl Blk Fuel Line
41	532 13 92-77	Stem Tank Fuel
44	817 67 04-12	Screw Hexwsh Thdrol 1/4-20x3/4
45	817 00 06-12	Screw Hexwsh Thdr 3/8-16 x 3/4
46	819 09 14-16	Washer 9/32 X 7/8 X 16 Ga
62	810 04 05-00	Washer Lock Hvy Hlcl Spr 5/16
72	871 07 05-12	Screw Hexhd Cap 5/16-18x 3/4
78	817 06 06-20	Screw 3/8-16x1-1/4
81	873 51 04-00	Nut Keps Hex 1/4-20 Unc
112	532 12 49-52	Bushing

NOTE: All component dimensions given in U.S. inches
1 inch = 25.4 mm

REPAIR PARTS

TRACTOR - MODEL NO. LT16 (JLT1642B), PRODUCT NO. 954 13 00-60 SEAT ASSEMBLY



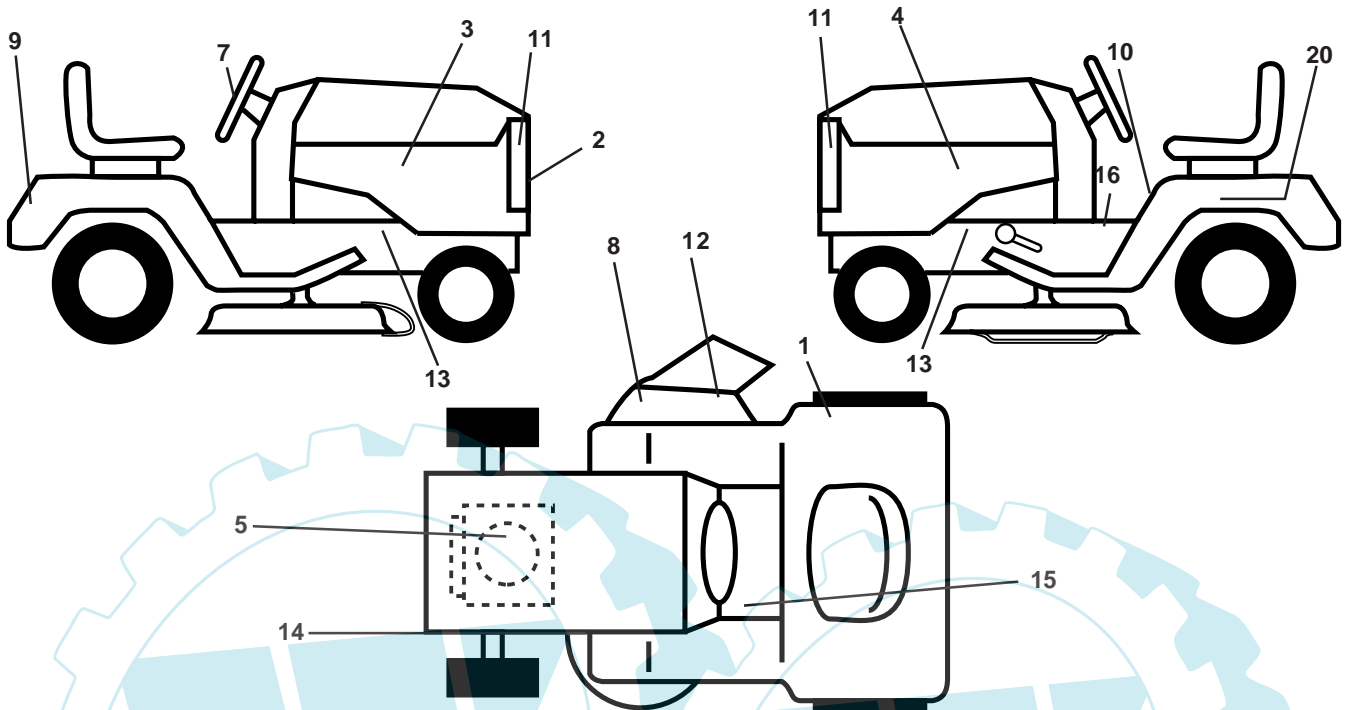
KEY NO.	PART NO.	DESCRIPTION
1	532 14 01-17	Seat
2	532 14 05-51	Bracket Pivot Seat 8 720
3	871 11 06-16	Bolt Fin Hex 3/8-16unc X 1
4	819 13 16-10	Washer 13/32 X 1 X 10 Ga
5	532 14 50-06	Clip Push-In
6	873 80 06-00	Nut Hex w/Ins. 3/8-16 Unc
7	532 12 41-81	Spring Seat Cprsn 2 250 Blk Zi
8	817 00 06-16	Screw 3/8-16 X 1-1/2
9	819 13 16-14	Washer 13/32 X 1 X 14 Ga.
10	532 18 24-93	Pan Seat
11	532 16 63-69	Knob Seat
12	532 12 12-46	Bracket Mounting Switch

KEY NO.	PART NO.	DESCRIPTION
13	532 12 12-48	Bushing Snap Blk Nyl 50 Id
14	872 05 04-12	Bolt Rdhd Sqnk 1/4-20x1-1/2
15	532 13 43-00	Spacer Split 28x96 Yel Zinc
16	532 12 12-50	Spring Cprsn 1 327 Blk Pnt
17	532 12 39-76	Nut Lock 1/4 Lge Flg Gr 5 Zinc
18	532 12 42-38	Cap Spring Seat
21	532 17 18-52	Bolt Shoulder 5/16-18 Unc
22	873 80 05-00	Nut Hex Lock W/Ins 5/16-18
24	819 17 19-12	Washer 17/32 X 1-3/16 X 12 Ga.
25	532 12 70-18	Bolt Shoulder 5/16-18 X 62

NOTE: All component dimensions given in U.S. inches.
1 inch = 25.4 mm

REPAIR PARTS

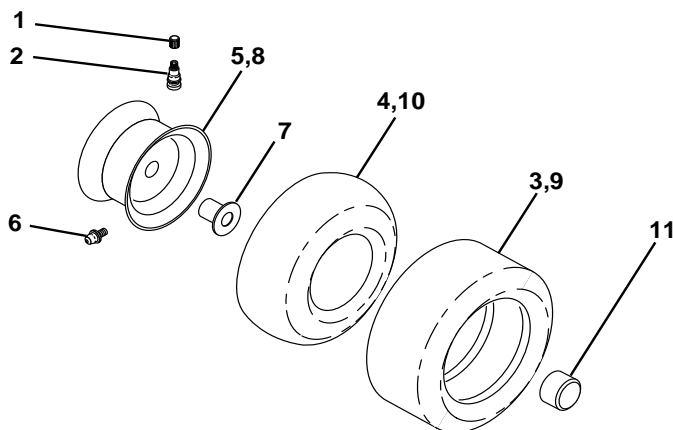
TRACTOR - MODEL NO. LT16 (JLT1642B), PRODUCT NO. 954 13 00-60
DECALS



KEY NO.	PART NO.	DESCRIPTION
1	532 18 04-32	Decal 100 DBA
2	532 15 22-62	Decal Grille Jonsered Sweden
3	532 17 96-35	Decal Hood RH
4	532 17 96-36	Decal Hood LH
5	532 18 04-34	Decal HP Engine
7	532 17 05-65	Decal, Ins. Strg Whl. Jons.
8	532 18 21-66	Decal Mower Cutfinger
9	532 14 17-61	Decal Fender Jonsered
10	532 14 54-98	Decal Read Owner's Manual Syms.
11	532 16 29-27	Decal Hood Insert
12	532 17 91-28	Decal Deck "B" 42"
13	532 15 97-36	Decal Chassis Hot Muffler

KEY NO.	PART NO.	DESCRIPTION
14	532 16 03-96	Decal V-Belt Schematic
15	532 15 97-37	Decal Brake/Clutch Symbol Lt
16	532 14 08-37	Decal Saddle Brake Parking
20	532 14 50-05	Decal Bat Dan/Psn
--	532 17 12-84	Pad Footrest LH STLT
--	532 17 12-85	Pad Footrest RH STLT
--	532 13 83-11	Decal Handle Lift Height Adjust
--	532 16 25-98	Decal Drawbar Load Limit
--	532 18 30-21	Manual Operator's (Euro.)
--	532 18 30-22	Manual Operator's (Scan.)

WHEELS & TIRES

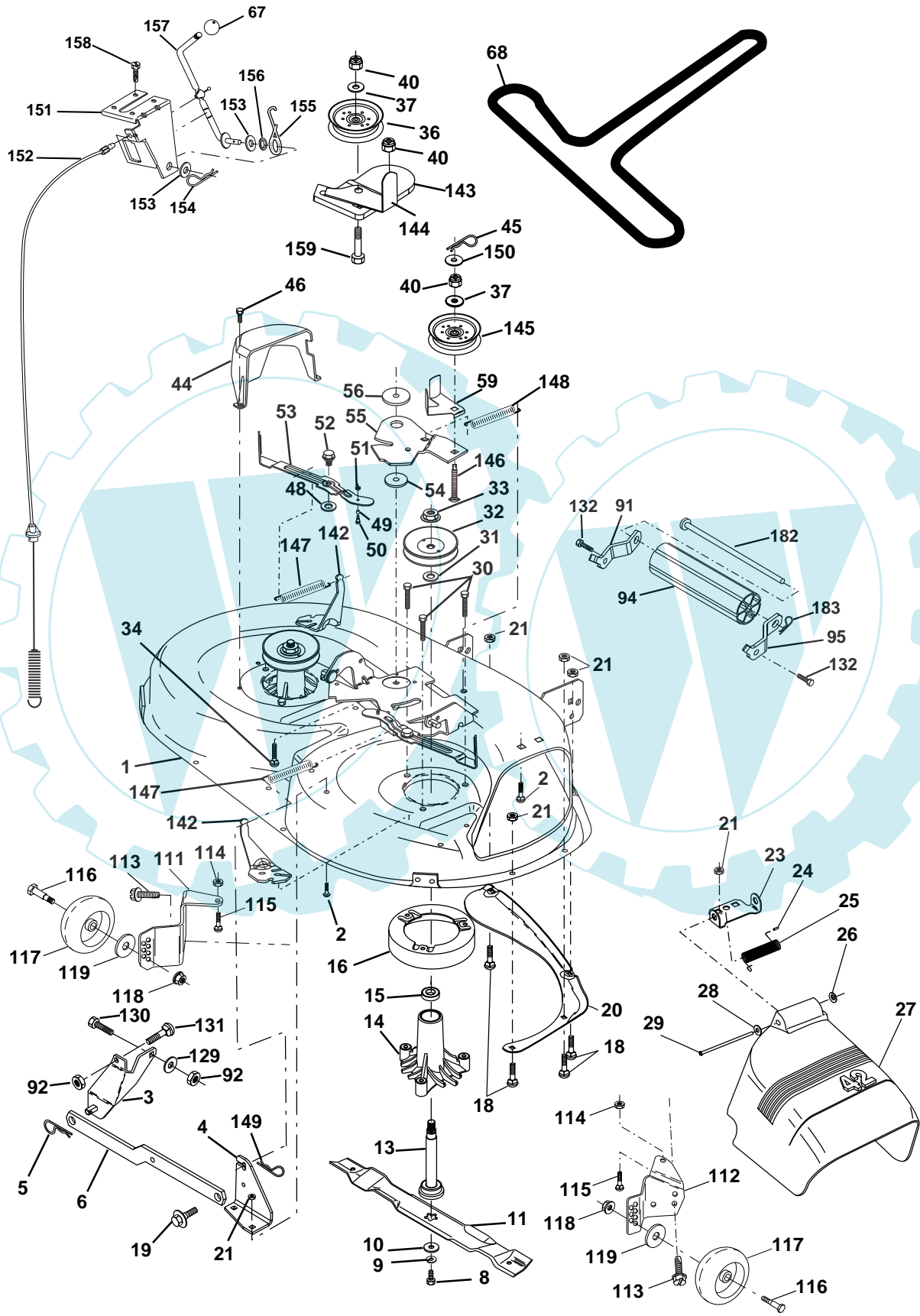


KEY NO.	PART NO.	DESCRIPTION
1	532 05 91-92	Cap Valve Tire
2	532 06 51-39	Stem Valve
3	532 10 62-22	Tire F Ts 15 X 6 0 - 6 Service
4	532 05 99-04	Tube Front (Service Item Only)
5	532 13 83-36	Rim Asm 6"front Silver Service
6	532 12 49-57	Fitting Grease (Front Wheel Only)
7	532 12 49-59	Bearing Flange (Front Wheel Only)
8	532 13 83-37	Rim Asm 8"rear Silver Service
9	532 12 20-82	Tire R Ts 20x10-8 C Service
10	532 12 49-26	Tube Rear (Service Item Only)
11	532 17 50-39	Cap Axle Blk 1 50 X 1 00
--	532 14 43-34	Sealant, Tire (10 oz. Tube)

NOTE: All component dimensions given in U.S. inches
1 inch = 25.4 mm

REPAIR PARTS

TRACTOR - MODEL NO. LT16 (JLT1642B), PRODUCT NO. 954 13 00-60
MOWER DECK



REPAIR PARTS

TRACTOR - MODEL NO. LT16 (JLT1642B), PRODUCT NO. 954 13 00-60
MOWER DECK

KEY NO.	PART NO.	DESCRIPTION	KEY NO.	PART NO.	DESCRIPTION
1	532 16 58-92	Housing Asm Mower	67	532 10 69-32	Knob Rd 3/8-16 Plstc Thds Blk
2	872 14 05-06	Bolt Rdhd Sqnk 5/16-18unc X3/4	68	532 18 02-15	V-Belt Mower
3	532 13 80-17	Bracket Asm Fr Sway Bar 38/42	91	532 18 05-32	Bracket Asm Noseroller LH
4	532 16 54-60	Bracket Asm Deck 42"sway Bar	92	873 80 06-00	Nut Lock Hex w/ins. 3/8-16 UNC
5	532 12 46-70	Retainer Spring	94	532 13 22-64	Roller Nose 38 & 42
6	532 17 80-24	Bar Sway Deck	95	532 18 05-33	Bracket Asm Noseroller RH
8	532 85 08-57	Bolt 3/8-24x1 25 Gr8 Patched	111	532 17 92-92	Bracket Gauge Wheel Lh
9	810 03 06-00	Washer Lock Hvy 3/8 Unplated	112	532 17 92-93	Bracket Gauge Wheel Rh
10	532 14 02-96	Washer Hard Blade Mower Vented	113	817 06 05-10	Screw Tapping 3/8-16 x .625
11	532 13 84-98	Blade Mower High Lift"	114	873 51 05-00	Nut Keps 5/16-18 UNC
13	532 13 76-45	Shaft Asm W/lower Bearing	115	872 11 05-05	Bolt Carriage 5/16-18unc x 5/8
14	532 12 87-74	Housing Mandrel Vented(machd)	116	532 12 48-42	Bolt Shoulder
15	532 11 04-85	Bearing Ball Mandrel	117	532 16 57-46	Wheel Gauge
16	532 17 44-93	Stripper Round Mower	118	873 93 06-00	Nut Centerlock 3/8-16 UNC
18	872 14 05-05	Bolt Carr 5/16-18 X 5/8	119	819 12 14-14	Washer 3/8 x 7/8 x 14 Ga.
19	532 13 28-27	Bolt Shoulder	129	819 13 13-12	Washer 13/32 x 13/16 x 12 Ga.
20	532 15 97-70	Baffle Vortex	130	874 78 06-16	Bolt Fin Hex 3/8-16 UNC x 1 Gr. 5
21	873 68 05-00	Nut Crown Lock 5/16-18	131	872 14 06-08	Bolt Rdhd Sqnk 3/8-16 x 1
23	532 17 75-63	Bracket Deflector Mower 42"	132	817 06 06-12	Screw 3/8-16 x .75
24	532 10 53-04	Cap Sleeve 80x 112 Blk Mower	142	532 16 58-90	Arm Spring Brake Mower
25	532 12 37-13	Spring Torsion Deflector 2 52	143	532 15 71-09	Bracket Arm Idler 42"
26	532 11 04-52	Nut Push Phos & Oil	144	532 15 86-34	Keeper Belt 42" Clutch Cable
27	532 17 18-59	Shield Deflector	145	532 16 58-88	Pulley Idler Flat
28	819 11 10-16	Washer 11/32 X 5/8 X 16 Ga	146	532 17 19-77	Bolt Carriage Idler
29	532 13 14-91	Rod Hinge 42"6 75 Wlg	147	532 17 97-48	Spring Extension
30	532 17 39-84	Screw Thdrol Washer Head	148	532 16 90-22	Spring Return Idler
31	532 12 99-63	Washer Spacer Mower Vented	149	532 16 58-98	Retainer Spring Yellow
32	532 15 35-35	Pulley Mandrel	150	819 09 12-16	Washer 9/32 x 3/4 x 16 Ga.
33	532 17 83-42	Nut 9/16top Lock Flng Cntr	151	532 16 96-70	Bracket Clutch Cable
34	872 11 06-14	Bolt RDHD 3/8-16 UNC x 2-3/4 Gr.5	152	532 18 15-55	Clutch Cable 42"
36	532 13 14-94	Pulley Idler Flat 3 060	153	532 16 96-74	Washer Flat 3/8" Type B
37	819 13 13-16	Washer 13/32 X 13/16 X 16 Ga	154	532 16 96-75	Spring Retainer
40	873 68 06-00	Nut Lock 3/8-16 Unc	155	532 16 96-71	Spring Retention Lvr Cltch Cab
44	532 14 00-88	Guard Mandrel LH Black	156	532 16 96-72	Spacer Clutch Cable
45	532 12 47-88	Spring Retainer 1" Zinc/cad	157	532 16 96-69	Rod Clutch Cable 3/8"
46	532 13 77-29	Screw Thdrol 1/4-20x5/8	158	817 72 04-80	Screw Hex Thd Cut 1/4-20 x 1/2
48	532 13 39-44	Washer Hardened Samller	159	872 14 06-14	Bolt Rdhd Sqn 3/8-16 Unc x 1-3/4
49	532 17 42-84	Roller Asm Cam Follower 42" dec	182	532 17 91-26	Rod Roller Nose
50	532 13 13-40	Bolt Shldr 10-24 Zinc Gr 5 42"	183	532 16 35-52	Retainer Spring
51	532 06 91-80	Nut Lock #10-24 Unc	--	532 18 13-85	Replacement Mower Complete
52	532 13 98-88	Bolt Shoulder 5/16-18 Unc Blkz	--	532 13 07-94	Mandrel Assembly (Includes Housing, Shaft and Shaft Hardware Only - Pulley Not Included)
53	532 13 18-45	Arm Asm Pad Brake			
54	532 13 39-43	Washer Hardened			
55	532 15 50-46	Arm Idler 42" mower LT/YT			
56	532 16 57-23	Spacer Retainer Mower			
59	532 14 10-43	Guard, Belt			

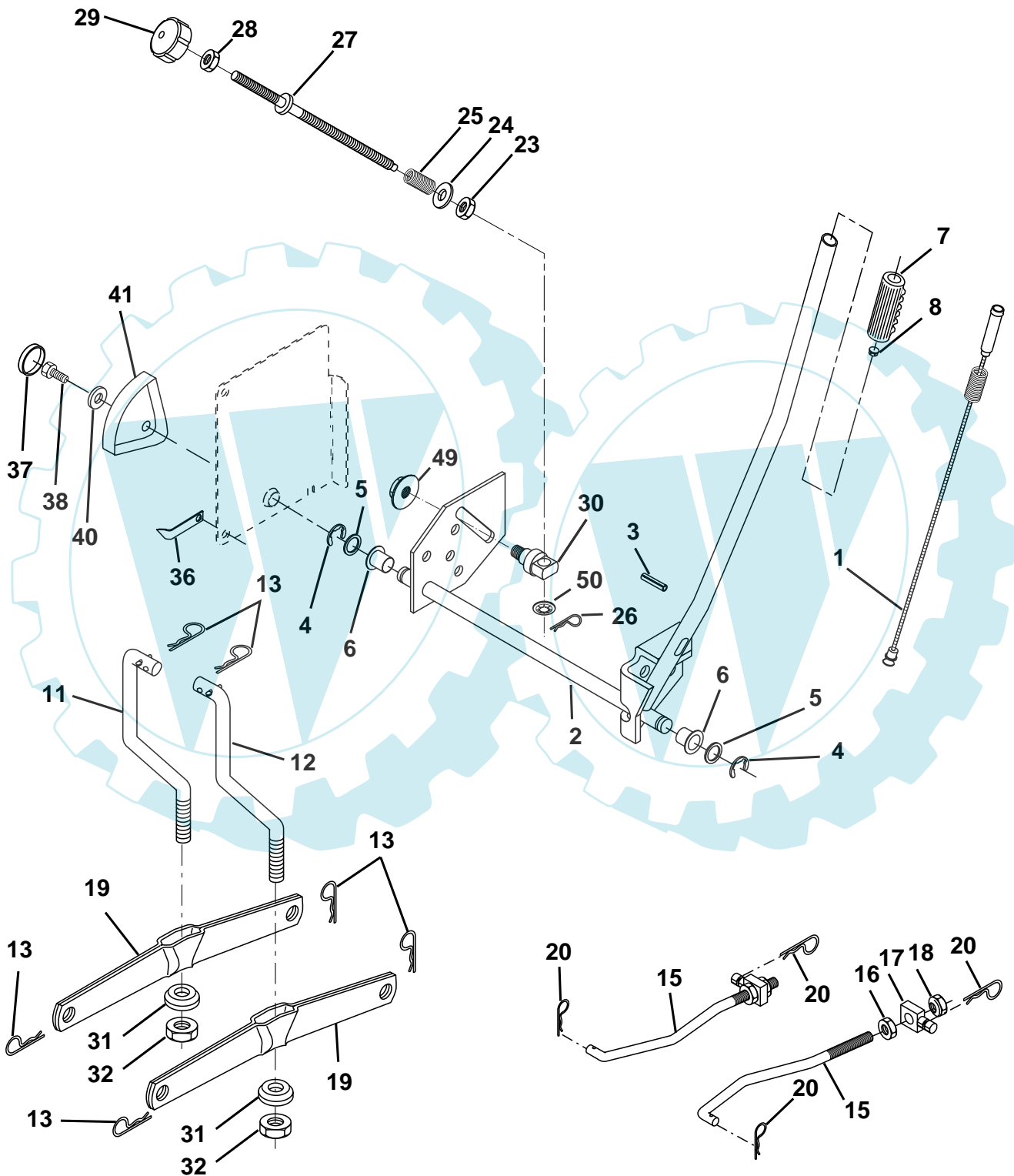
Correction:

158 817 72 04-80

NOTE: All component dimensions given in U.S. inches
 1 inch = 25.4 mm

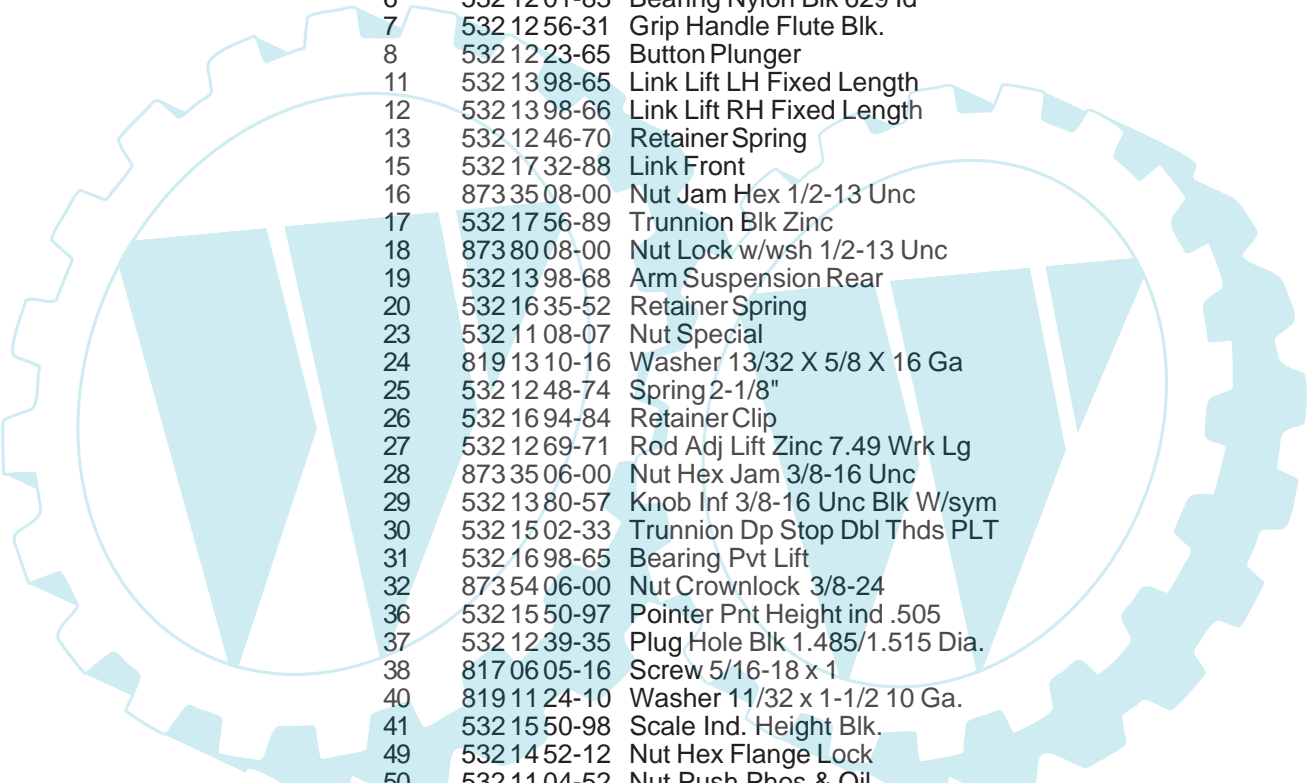
REPAIR PARTS

TRACTOR - MODEL NO. LT16 (JLT1642B), PRODUCT NO. 954 13 00-60
MOWER LIFT



REPAIR PARTS

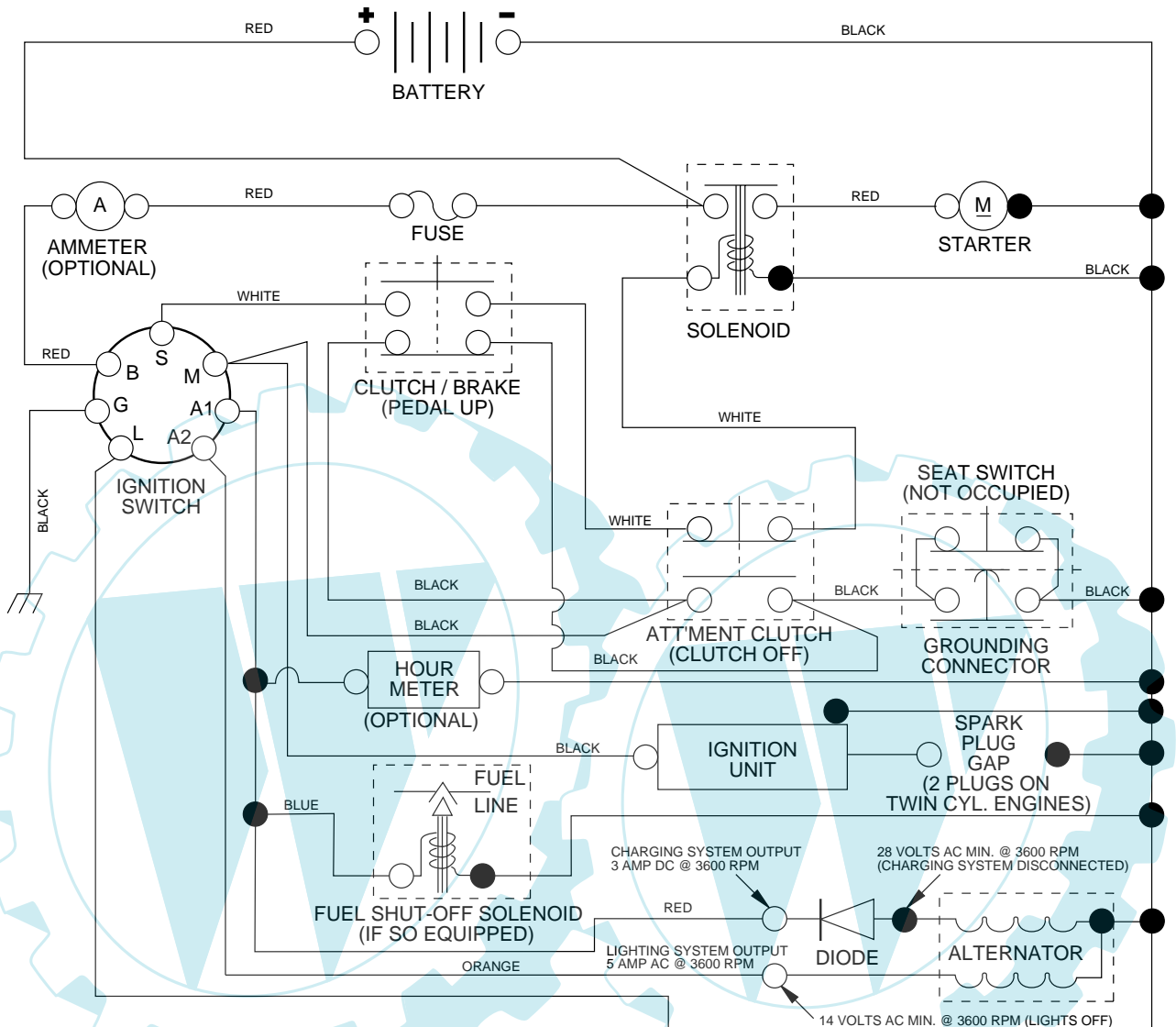
TRACTOR - MODEL NO. LT16 (JLT1642B), PRODUCT NO. 954 13 00-60
MOWER LIFT



KEY NO.	PART NO.	DESCRIPTION
1	532 15 94-60	Wire Asm Inner W/plunger
2	532 15 94-71	Shaft Asm Lift RH
3	532 10 57-67	Pin Groove 1 500 Zinc
4	812 00 00-02	E Ring #5133-62
5	819 21 16-21	Washer 21/32 X 1 X 21 Ga
6	532 12 01-83	Bearing Nylon Blk 629 Id
7	532 12 56-31	Grip Handle Flute Blk.
8	532 12 23-65	Button Plunger
11	532 13 98-65	Link Lift LH Fixed Length
12	532 13 98-66	Link Lift RH Fixed Length
13	532 12 46-70	Retainer Spring
15	532 17 32-88	Link Front
16	873 35 08-00	Nut Jam Hex 1/2-13 Unc
17	532 17 56-89	Trunnion Blk Zinc
18	873 80 08-00	Nut Lock w/wsh 1/2-13 Unc
19	532 13 98-68	Arm Suspension Rear
20	532 16 35-52	Retainer Spring
23	532 11 08-07	Nut Special
24	819 13 10-16	Washer 13/32 X 5/8 X 16 Ga
25	532 12 48-74	Spring 2-1/8"
26	532 16 94-84	Retainer Clip
27	532 12 69-71	Rod Adj Lift Zinc 7.49 Wrk Lg
28	873 35 06-00	Nut Hex Jam 3/8-16 Unc
29	532 13 80-57	Knob Inf 3/8-16 Unc Blk W/sym
30	532 15 02-33	Trunnion Dp Stop Dbl Thds PLT
31	532 16 98-65	Bearing Pvt Lift
32	873 54 06-00	Nut Crownlock 3/8-24
36	532 15 50-97	Pointer Pnt Height ind .505
37	532 12 39-35	Plug Hole Blk 1.485/1.515 Dia.
38	817 06 05-16	Screw 5/16-18 x 1
40	819 11 24-10	Washer 11/32 x 1-1/2 10 Ga.
41	532 15 50-98	Scale Ind. Height Blk.
49	532 14 52-12	Nut Hex Flange Lock
50	532 11 04-52	Nut Push Phos & Oil

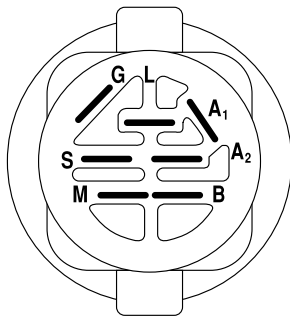
NOTE: All component dimensions given in U.S. inches
1 inch = 25.4 mm

**TRACTOR - MODEL NO. LT16 (JLT1642B), PRODUCT NO. 954 13 00-60
SCHEMATIC**



NOTE

YOUR TRACTOR IS EQUIPPED WITH A SPECIAL ALTERNATOR SYSTEM. THE LIGHTS ARE NOT CONNECTED TO THE BATTERY, BUT HAVE THEIR OWN ELECTRICAL SOURCE. BECAUSE OF THIS, THE BRIGHTNESS OF THE LIGHTS WILL CHANGE WITH ENGINE SPEED. AT IDLE THE LIGHTS WILL DIM. AS THE ENGINE IS SPEEDED UP, THE LIGHTS WILL BECOME THEIR BRIGHTEST.



IGNITION SWITCH

POSITION	CIRCUIT	"MAKE"
OFF	M+G+A1	NONE
RUN/LIGHT	B+A1	A2+L
RUN	B+A1	NONE
START	B + S + A1	NONE

WIRING INSULATED CLIPS

NOTE: IF WIRING INSULATED CLIPS WERE REMOVED FOR SERVICING OF UNIT, THEY SHOULD BE REPLACED TO PROPERLY SECURE YOUR WIRING.

NON-REMOVABLE CONNECTIONS

REMOVABLE CONNECTIONS